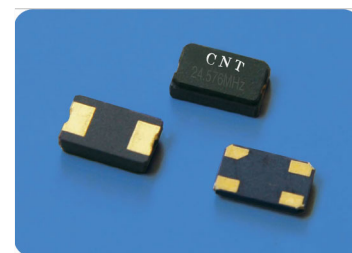




## GLASS SEALED SMD CRYSTAL 5.0×3.2mm

## FEATURES

- Leadless type
- Reflow soldering
- It is a completely type with a metal case sealed on a ceramic board
- Ultra-miniature package



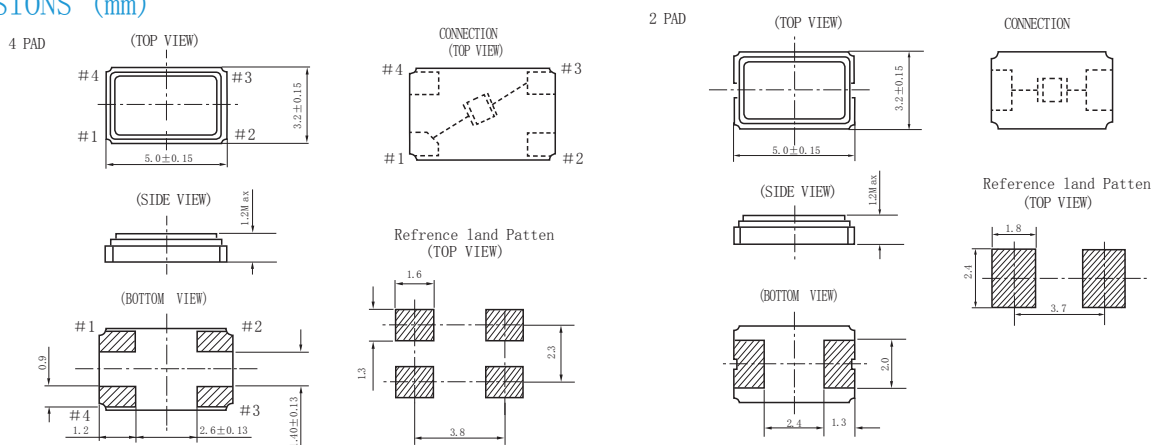
## SPECIFICATIONS

ITEM	DESCRIPTION
Frequency range	12.000000MHz~100.000000MHz
Frequency Tolerance(at 25°C)	±30ppm(STD)、±5ppm ~ ±50ppm or specify
Operating Temperature Range	-10°C~+60°C、-20°C~+70°C、-40°C~+85°C or specify
Frequency Stability Over Operating Temp Characteristics	±30ppm(STD)、±10ppm ~ ±50ppm or specify
Equivalent Series Resistance	see table No.1
Storage Temperature Range	-55°C ~ +125°C
Shunt Capacitance (Co)	5.0pF Max
Load Capacitance (CL)	series 16pF、20pF、30pF、32pF or specify
Drive Level	10uw~100uw
Insulation Resistance	500M ohms Min / DC 100V
Aging	±3ppm/year

## EQUIVALENT SERIES RESISTANCE(ESR) TABLE No. 1

Frequency Range	Mode	ESR (Ω)	Frequency Range	Mode	ESR (Ω)
12.000MHz~13.999MHz	Fundamental	60Max	35.000MHz~39.999MHz	3rd Overtone	100Max
14.000MHz~30.000MHz	Fundamental	50Max	40.000MHz~100.000MHz	3rd Overtone	60Max

## OUTLINE DIMENSIONS (mm)



## PART NUMBER

TIM	XG5032A	F	16.000000	±15	±30	-20°C~+70°C	20	50
Type	XG5032A:4PAD	oscillator mode	Frequency (MHz)	Frequency tolerance	temperature stability	operating temperature range	Load capacitance (pf)	ESR (Ω) Max
	XG5032B:2PAD	F:Fundamental 3:3rd Overtone	16.000000: 16.000000MHz	(ppm) ±15:±15ppmv	(ppm) ±30:±30ppm		20:20pf 00:SERIES	50:50 Ω Max