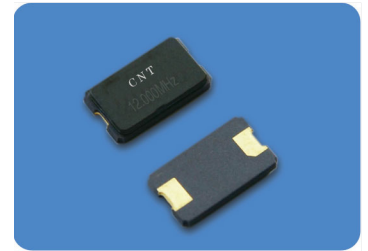




GLASS SEALED SMD CRYSTAL 8.0×4.5mm

FEATURES

- Leadless type
- Reflow soldering
- It is a completely type with a metal case sealed on a ceramic board
- Ultra-miniature package



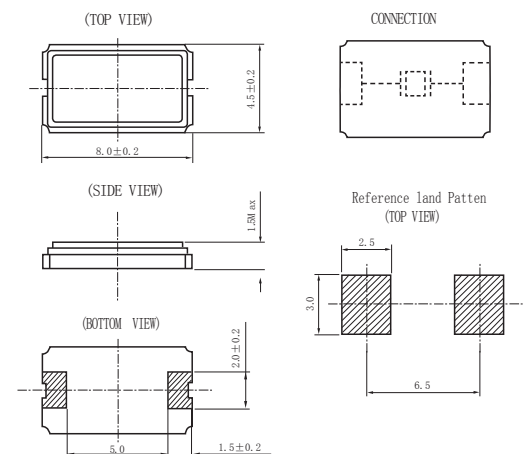
SPECIFICATIONS

ITEM	DESCRIPTION
Frequency range	6.000000MHz~80.000000MHz
Frequency Tolerance(at 25°C)	±30ppm(STD)、±5ppm ~ ±50ppm or specify
Operating Temperature Range	-10°C~+60°C、-20°C~+70°C、-40°C~+85°C or specify
Frequency Stability Over Operating Temp Characteristics	±30ppm(STD)、±10ppm ~ ±50ppm or specify
Equivalent Series Resistance	see table No.1
Storage Temperature Range	-55°C ~ +125°C
Shunt Capacitance (Co)	7.0pF Max
Load Capacitance (CL)	series 16pF、20pF、30pF、32pF or specify
Drive Level	10uw~100uw
Insulation Resistance	500M ohms Min / DC 100V
Aging	±3ppm/year

EQUIVALENT SERIES RESISTANCE (ESR) TABLE No. 1

Frequency Range	Mode	ESR(Ω)
6.000MHz~7.999MHz	Fundamental	100Max
8.000MHz~9.999MHz	Fundamental	80Max
10.000MHz~13.999MHz	Fundamental	60Max
14.000MHz~40.000MHz	Fundamental	40Max
30.000MHz~44.999MHz	3rd Overtone	70Max
45.000MHz~80.000MHz	3rd Overtone	60Max

OUTLINE DIMENSIONS (mm)



PART NUMBER

TIM-	XG8045	F	16.000000	±20	±30	-20°C~+70°C	20	40
Type	oscillator mode	Frequency (MHz)	Frequency tolerance (ppm)	temperature stability (ppm)	operating temperature range	Load capacitance (pf)	ESR(Ω) Max	
	F:Fundamental	16.000000: 16.000000MHz	±20: ±20ppm	±30: ±30ppm		20:20pf 00:SERIES	40:40 Ω Max	