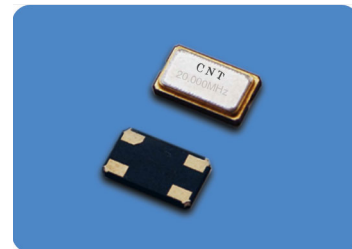




# SEAM SEALED SMD CRYSTAL 4.0×2.5mm

## FEATURES

- Leadless type
- Reflow soldering
- It is a completely type with a metal case sealed on a ceramic board
- Ultra-miniature package



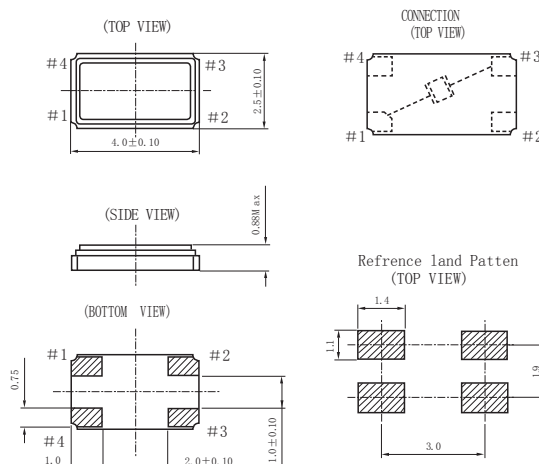
## SPECIFICATIONS

ITEM	DESCRIPTION
Frequency range	12.000000MHz~50.000000MHz
Frequency Tolerance(at 25°C)	±30ppm(STD)、±5ppm ~ ±50ppm or specify
Operating Temperature Range	-10°C~+60°C、-20°C~+70°C、-40°C~+85°C or specify
Frequency Stability Over Operating Temp Characteristics	±30ppm(STD)、±10ppm ~ ±50ppm or specify
Equivalent Series Resistance	see table No.1
Storage Temperature Range	-55°C ~ +125°C
Shunt Capacitance (Co)	5.0pF Max
Load Capacitance (CL)	series 16pF、20pF、30pF、32pF or specify
Drive Level	10uw~100uw
Insulation Resistance	500M ohms Min / DC 100V
Aging	±3ppm/year

## EQUIVALENT SERIES RESISTANCE (ESR) TABLE No. 1

Frequency Range	Mode	ESR (Ω)
12.000MHz~14.999MHz	Fundamental	60Max
15.000MHz~19.999MHz	Fundamental	40Max
20.000MHz~24.999MHz	Fundamental	35Max
25.000MHz~50.000MHz	Fundamental	30Max

## OUTLINE DIMENSIONS (mm)



## PART NUMBER

TIM-	XS4025	F	16.000000	±20	±30	-20°C~+70°C	20	40
Type	oscillator mode	Frequency (MHz)	Frequency tolerance (ppm)	temperature stability (ppm)	operating temperature range	Load capacitance (pf)	ESR (Ω) Max	
	F:Fundamental	16.000000: 16.000000MHz	±20:±20ppm	±30:±30ppm		20:20pf 00:SERIES	40:40 Ω Max	