

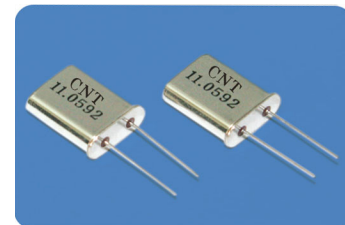


HC—49U、HC—49T

FEATURES

- Wide frequency range
- Excellent aging characteristics
- The Frequency stability is good, the reliability is high

SPECIFICATIONS

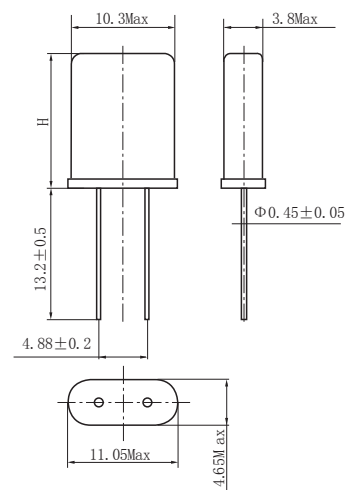


ITEM	DESCRIPTION
Frequency range	1.843200MHz~150.000000MHz
Frequency Tolerance(at 25°C)	±30ppm(STD)、±3ppm ~ ±50ppm or specify
Operating Temperature Range	-10°C~+60°C、-20°C~+70°C、-40°C~+85°C or specify
Frequency Stability Over Operating Temp Characteristics	±30ppm(STD)、±3ppm ~ ±50ppm or specify
Equivalent Series Resistance	see table No.1
Storage Temperature Range	-40°C ~ +85°C
Shunt Capacitance (Co)	7.0pF Max
Load Capacitance (CL)	series 16pF、20pF、30pF、32pF or specify
Drive Level	10uw~100uw
Insulation Resistance	500M ohms Min / DC 100V
Aging	±3ppm/year

EQUIVALENT SERIES RESISTANCE(ESR) TABLE No. 1

Frequency Range	Mode	ESR(Ω)
1.843MHz~1.999MHz	Fundamental	350Max
2.000MHz~2.399MHz	Fundamental	300Max
2.400MHz~2.999MHz	Fundamental	200Max
3.000MHz~3.199MHz	Fundamental	150Max
3.200MHz~3.499MHz	Fundamental	100Max
3.500MHz~3.899MHz	Fundamental	90Max
3.900MHz~4.099MHz	Fundamental	70Max
4.100MHz~5.999MHz	Fundamental	60Max
6.000MHz~6.999MHz	Fundamental	50Max
7.000MHz~9.999MHz	Fundamental	35Max
10.000MHz~13.999MHz	Fundamental	25Max
14.000MHz~48.000MHz	Fundamental	20Max
26.000MHz~90.000MHz	3rd Overtone	70Max
80.000MHz~150.000MHz	5th Overtone	100Max

OUTLINE DIMENSIONS (mm)



TYPE	H mm Max
HC-49U	13.5
HC-49T	11.3

PART NUMBER

TIM-	XA	F	16.000000	±30	±50	-20°C~+70°C	20	30
Type	oscillator mode	Frequency (MHz)	Frequency	tolerance	temperature stability	operating temperature range	Load capacitance (pf)	ESR(Ω) Max
XA:HC-49U	F:Fundamental	16.000000:	(ppm)	(ppm)	(ppm)		20:20pf	
XB:HC-49T	3:3rd Overtone	16.000000MHz	±30:±30ppm	±50:±50ppm			00:SERIES	30:30Ω Max
	5:5th Overtone							